



Safety is for life.™

PRODUCT INFORMATION



THE EXPLOSION VENT FOR LOW TO MEDIUM VACUUM + PRESSURE CYCLING

The domed, single layer explosion vent is suitable for use in processes with medium vacuum or overpressure (**up to 70% of min. response pressure (pstat)**) and slight pressure cycling. It is particularly suitable for vessels with pneumatic filling equipment and for filters and sieves with strong vibration. The standard bursting pressure is 0.1 bar at 22 °C (71.6 °F).

Your Advantages

- The domed construction provides **high stability and pressure cycling resistance**.
- **Quick and easy installation** while torque is independent. No additional counter frame required.
- **Significant space savings due** to the integrated gasket and tensioning frame in the explosion vent.

Made in Germany



Technical data*

Standard burst pressure P _{stat}	0.1 bar at 22 °C (71.6 °F)
Max. permitted operating pressure	Up to 70% of P _{stat}
Temperature	- 40 to + 180 °C (- 40 to + 356 °F)
Material	Stainless steel
Gasket material	EPDM, silicon, foam rubber
Tolerance	± 20% at standard burst pressure
Standard vacuum resistance	Up to 500 mm H ₂ O (WC) to 0.64 m ² Up to 300 mm H ₂ O (WC) from 0.65 m ²
Recommended tightening torque for M10 bolt	15 – 20 Nm

*Our specialists will be pleased to assist you in finding a solution that matches your specific operating conditions.

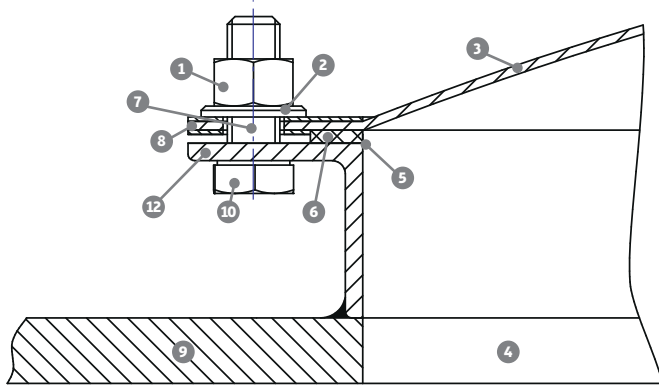


ATEX EC type examination certificate no. FSA 04 ATEX 1538 X

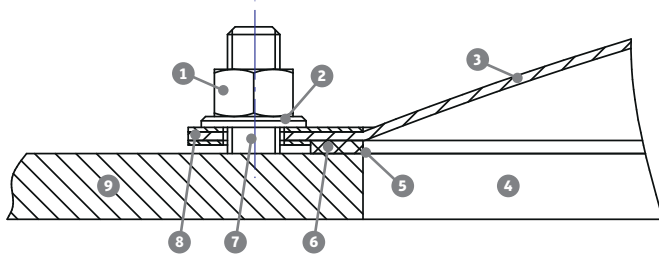
SIL equivalent SIL 4



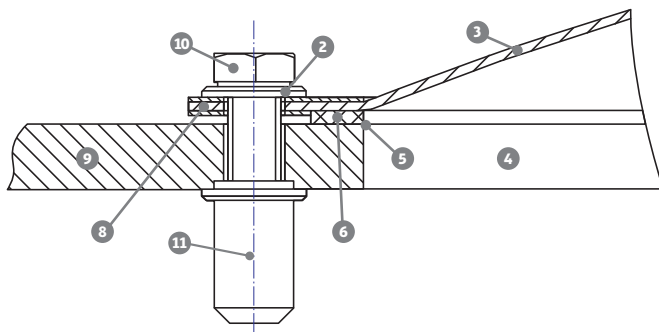
Installation options



Installation with angular frame.



Installation with welded threaded bolts.



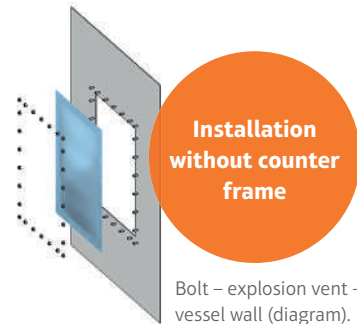
Installation with lock nuts.

- 1 Nut
- 2 Washer
- 3 Burst element
- 4 Opening
- 5 Edge ($r \leq 2$ mm)
- 6 Integrated gasket
- 7 Threaded bolts
- 8 Explosion vent (burst element, integrated gasket and integrated tensioning frame)
- 9 Vessel wall (opening dimensions $+0/-2$ mm)
- 10 Bolt
- 11 Lock nut
- 12 Angular frame

Standard dimensions

Max. size of wall opening – nominal vent dimensions [mm]	Effective venting area [cm ²]	Max. vacuum resistance [mm H ₂ O (WC)]
130 × 500	650	300
247 × 465	1100	500
305 × 457	1350	500
247 × 610	1500	500
400 × 400	1600	500
410 × 410	1680	500
305 × 610	1860	1000
354 × 580	2000	1000
375 × 655	2450	1000
440 × 605	2660	1000
470 × 610	2850	1000
490 × 590	2850	2000
600 × 600	3600	500
450 × 800	3600	1000
610 × 610	3700	500
457 × 890	4100	1500
653 × 653	4260	500
600 × 800	4800	500
710 × 710	5000	500
620 × 820	5100	1000
586 × 920	5400	2000
500 × 1100	5500	500
800 × 800	6400	500
610 × 1118	6800	800
720 × 1020	7300	500
840 × 920	7700	1000
920 × 920	8460	1000
1000 × 1000	10000	1000
915 × 1118	10200	500
1020 × 1020	10400	800
920 × 1254	11537	200
1130 × 1130	12750	1000

Other dimensions available on request.



Installation without counter frame

Bolt – explosion vent – vessel wall (diagram).

Consulting. Engineering. Products. Service.