



Safety is for life.

Explosion Isolation  
**EXKOP®**  
**QV II + QV III**

**QUENCH VALVES  
 FOR SPACE-SAVING  
 BI-DIRECTIONAL ISOLATION**

EXKOP® QV II and QV III are part of the EXKOP® system and comprise a controller and one or several quench valves. In the case of an explosion, the controller receives a trigger signal (e.g. from the signalling unit of the Q-Rohr® or an explosion vent, from a pressure switch or spark detector) and activates the connected quench valves. These close within a few milliseconds and thus prevent the explosion from spreading to adjacent plant components. After being triggered, the quench valves can be put back in operation once again at the touch of a button.

**Additional functions:**

- Spark arrester (e.g. between a mill and the product filter)
- Overpressure limiter (e.g. between a silo vehicle and the silo)

**Made  
 in  
 Germany**



**Your advantages**

- **Compact design** for flexible integration into the production process.
- **High level of safety** due to very rapid closing times.
- **Returns to operation immediately** after triggering.
- **Fail Safe mechanism** automatically closes the valve if the power supply fails or the valve is manipulated.

Technical data*	QV II		QV III
Diameter nominal**	DN 80 – DN 200	DN 250	DN 300 – DN 600
Housing material	Alu, painted (RAL 1015)	St 37.2, painted (RAL 1015)	
Flanges	acc. to EN 1092-1 Type 11 (PN 10)***		
Operating limits	Medium	organic and chemical dusts	
	$K_{St}$	$\leq 300 \text{ bar} \times \text{m/s}$	$\leq 200 \text{ bar} \times \text{m/s}$   $\leq 300 \text{ bar} \times \text{m/s}$
	$P_{max}$	$\leq 10 \text{ bar}$	
	MIE	$\geq 3 \text{ mJ}$	
	$P_{red}$	$\leq 2.0 \text{ bar}$   $\leq 1.0 \text{ bar}$	$\leq 2.0 \text{ bar}$
	Allowable flow rate	$\leq 30 \text{ m/s}$	
ATEX category (indoor/outdoor)	1D/3D		
Suitable for use in food processing industry	Yes		
Ambient temperature	$+5 \text{ to } +60 \text{ }^\circ\text{C}$		
Installation position	Any		
Power supply	24 VDC from EXKOP® II controller		
Compressed air supply	6.0 bar gauge pressure from system network		
Compressed air connection	8 mm (Festo)		
Protection type	IP 65		

\*Our specialists will be pleased to assist you in finding a solution that matches your specific operating conditions.

\*\*Other nominal diameters available on request.

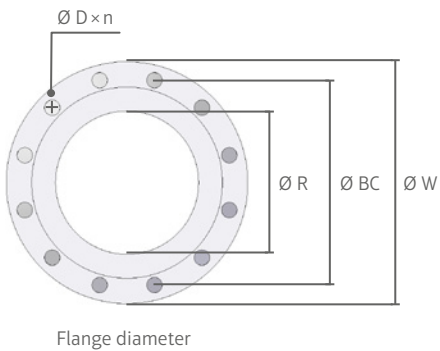
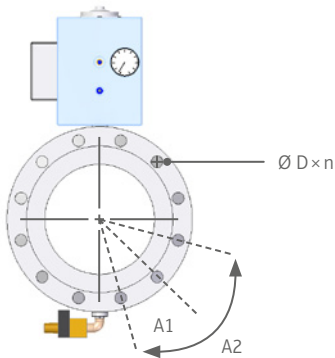
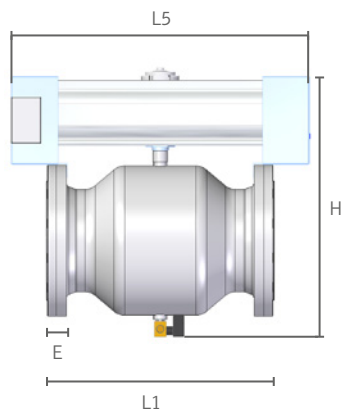
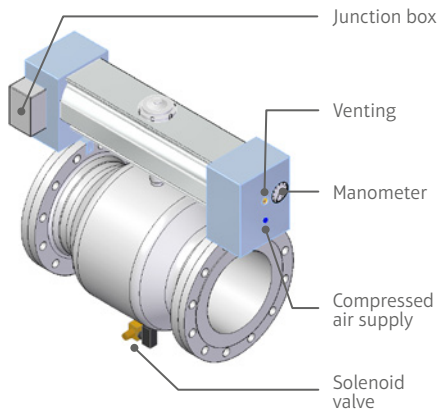
\*\*\*Replaces DIN 2632, PN 10



Safety is for life.

# PRODUCT INFORMATION

Explosion Safety | EXKOP® QV II



## Dimensions QV II

		EXKOP® QV II - 3	EXKOP® QV II - 4	EXKOP® QV II - 5	EXKOP® QV II - 6	EXKOP® QV II - 8	EXKOP® QV II - 10
<b>Diameter nominal</b>	<b>DN</b>	80	100	125	150	200	250
<b>Length L1</b>	<b>[mm]</b>	228	282	350	420	555	610
<b>Length L5</b>	<b>[mm]</b>	400	400	400	400	650	800
<b>Height H</b>	<b>[mm]</b>	520	554	600	652	742	856
<b>E</b>	<b>[mm]</b>	29	35	39	43	60	49
<b>Ø D x n</b>	<b>[mm]</b>	18 x 8	18 x 8	18 x 8	22 x 8	22 x 8	22 x 12
<b>A1</b>		22.5°	22.5°	22.5°	22.5°	22.5°	15°
<b>A2</b>		45° x 8	45° x 8	45° x 8	45° x 8	45° x 8	30° x 12
<b>Ø R</b>	<b>[mm]</b>	80	100	120	145	190	240
<b>Ø BC</b>	<b>[mm]</b>	160	180	210	240	295	350
<b>Ø W</b>	<b>[mm]</b>	200	220	250	285	340	395
<b>Weight</b>	<b>[kg]</b>	13	18	26	35	56	130

Other dimensions available on request.

## Mounting distances for QV II with St1

Diameter nominal	DN 80–DN 200	DN 250
<b>Min. mounting distance</b>	6	7
<b>Max. mounting distance</b>	20	8

## Mounting distances for QV II with St2

Diameter nominal	DN 80–DN 200	DN 250
<b>Min. mounting distance</b>	8	on request
<b>Max. mounting distance</b>	20	on request



ATEX  
EC type examination  
certificate no.  
FSA 04 ATEX 1537 X

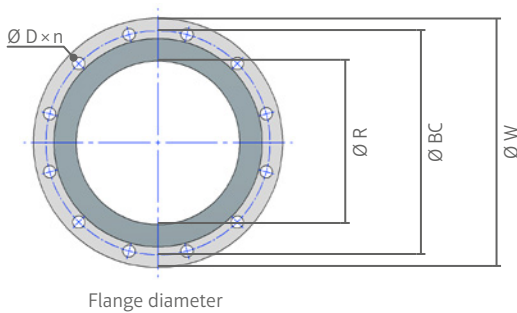
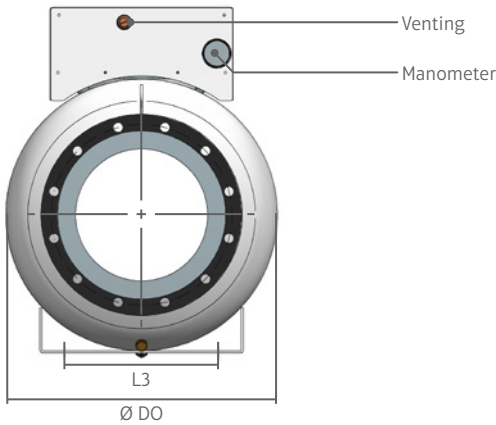
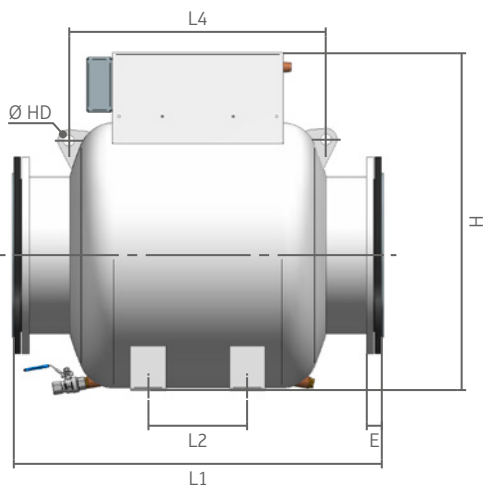
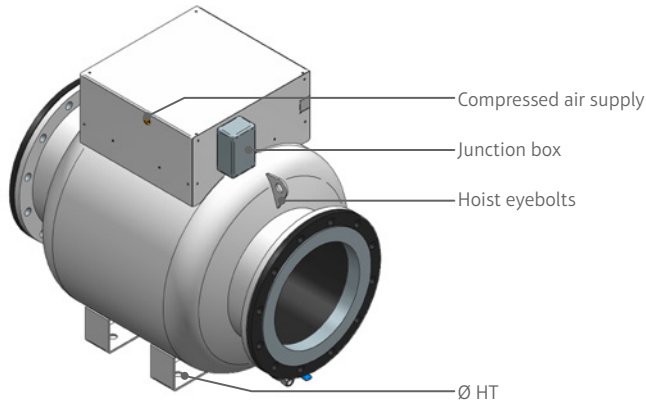




Safety is for life.

# PRODUCT INFORMATION

Explosion Safety | EXKOP® QV III



## Dimensions QV III

		EXKOP® QV III - 12	EXKOP® QV III - 16	EXKOP® QV III - 20	EXKOP® QV III - 24
<b>Diameter nominal</b>	<b>DN</b>	300	400	500	600
<b>Ø HT</b>	<b>[mm]</b>	22	22	22	22
<b>Ø HD</b>	<b>[mm]</b>	25	25	25	25
<b>Length L1</b>	<b>[mm]</b>	825	1125	1370	1730
<b>Length L2</b>	<b>[mm]</b>	224	500	679	971
<b>Length L3</b>	<b>[mm]</b>	340	400	450	450
<b>Length L4</b>	<b>[mm]</b>	580	640	1035	1333
<b>Height H</b>	<b>[mm]</b>	780	930	1080	1180
<b>E</b>	<b>[mm]</b>	45	45	45	45
<b>Ø DO</b>	<b>[mm]</b>	600	750	900	1000
<b>Ø D x n</b>	<b>[mm]</b>	22 x 12	26 x 16	26 x 20	30 x 20
<b>Ø R</b>	<b>[mm]</b>	292	392	492	592
<b>Ø BC</b>	<b>[mm]</b>	400	515	620	725
<b>Ø W</b>	<b>[mm]</b>	445	565	670	780
<b>Weight</b>	<b>[kg]</b>	194	391	605	798

Other dimensions available on request.

## Mounting distances for QV III with St1

Diameter nominal	DN 300	DN 400 – DN 600
<b>Min. mounting distance</b>	7	8
<b>Max. mounting distance</b>	20	20

## Mounting distances for QV III with St2

Diameter nominal	DN 300	DN 400 – DN 600
<b>Min. mounting distance</b>	7	8
<b>Max. mounting distance</b>	20	12



ATEX  
EC type examination  
certificate no.  
FSA 15 ATEX 1659 X



Certified in  
accordance with EN 15089